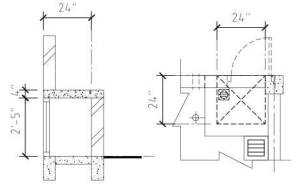


SANITARY AND PLUMBING SYMBOL			
B	BASIN	S	SINK
FT	FLOOR TRAP	SH	SHOWER HEAD
GT	GULLY TRAP	TP	WATER TAP
MH	MANHOLE	U	URINAL
VP	VENT PIPE	WT	WATER TUB
WC	WATER CLOSET		

LEGEND:	
SYMBOL	DESCRIPTION
	18" x 24" x 56 LBS C.I. MANHOLE
	12" x 12" SUMP
	4" Ø UP VENT PIPE
	FLOOR TRAP
	GULLY TRAP
	RAIN WATER DOWN PIPE

LEGEND:	
	9" thickness brickwork wall
	6" thickness brickwork wall

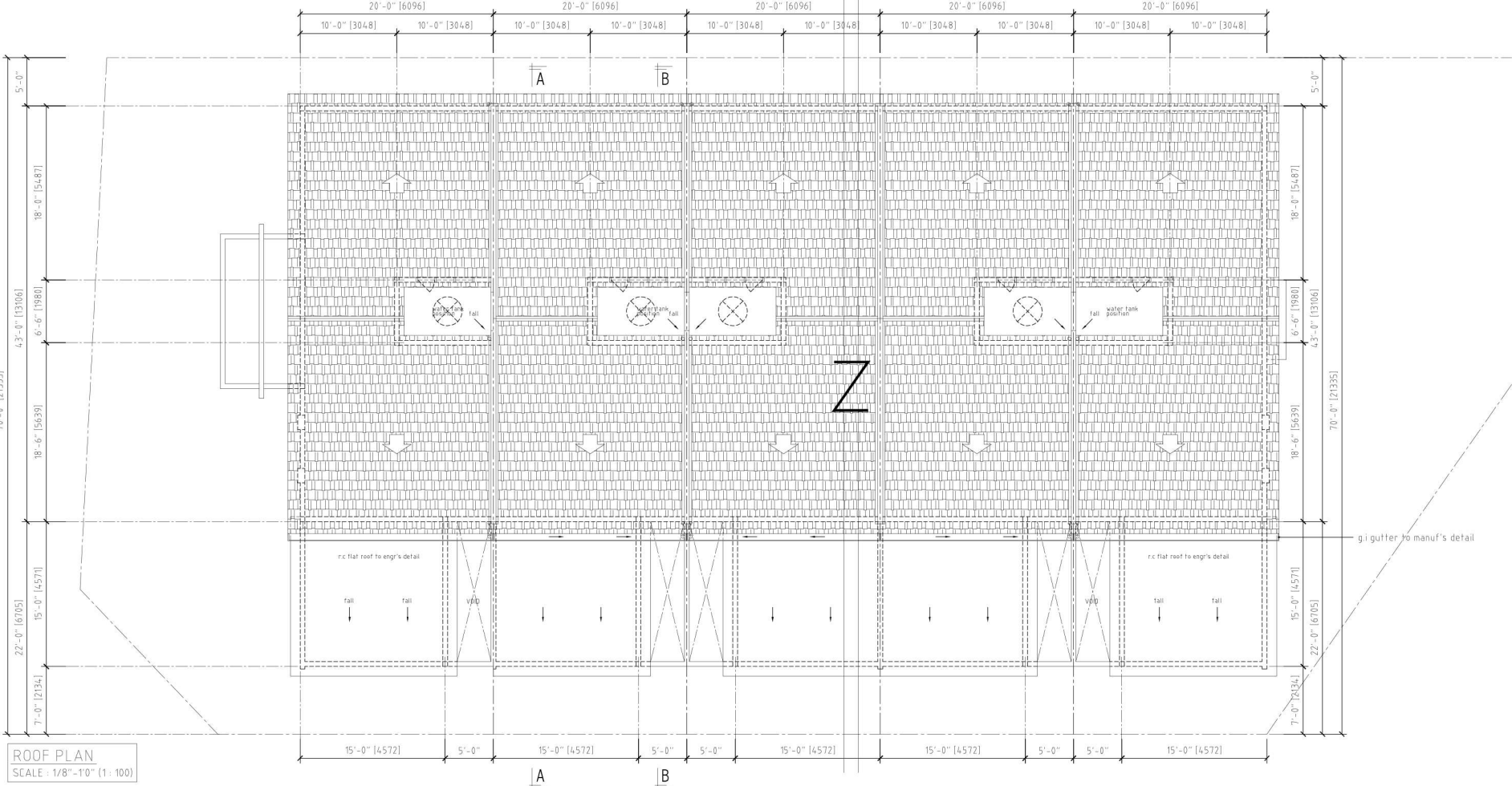


REFUSE CHAMPER DETAIL  
SCALE: 1/4" = 1'-0" (1:50)

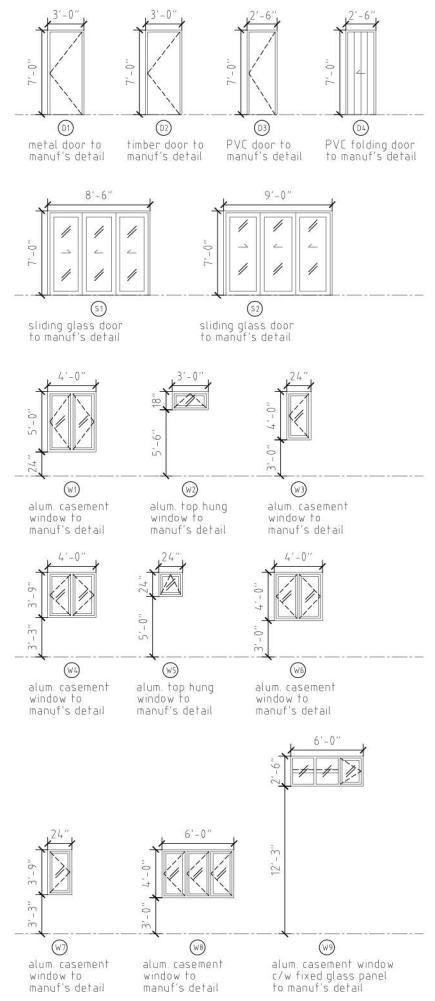
GROUND FLOOR PLAN  
SCALE: 1/8" = 1'-0" (1:100)

**IMPORTANT NOTE:**

- ALL INTERNAL GROUND FLOOR SLAB SHALL BE APPLY BRC ON TOP REINFORCEMENT THROUGHOUT SPAN TO ENGR'S DETAIL.
- ALL EXTERNAL GROUND FLOOR SLAB SHALL BE APPLY BRC ON TOP REINFORCEMENT THROUGHOUT SPAN TO ENGR'S DETAIL.
- ALL RAIN WATER DOWN PIPE (RWDP) SHOULD BE UPVC PIPE.
- ALL R.C FLAT ROOF TO BE WATER PROOFING FINISHED.



ROOF PLAN  
SCALE: 1/8" = 1'-0" (1:100)



DOOR & WINDOW SCHEDULE  
SCALE: 1/8" = 1'-0" (1:100)